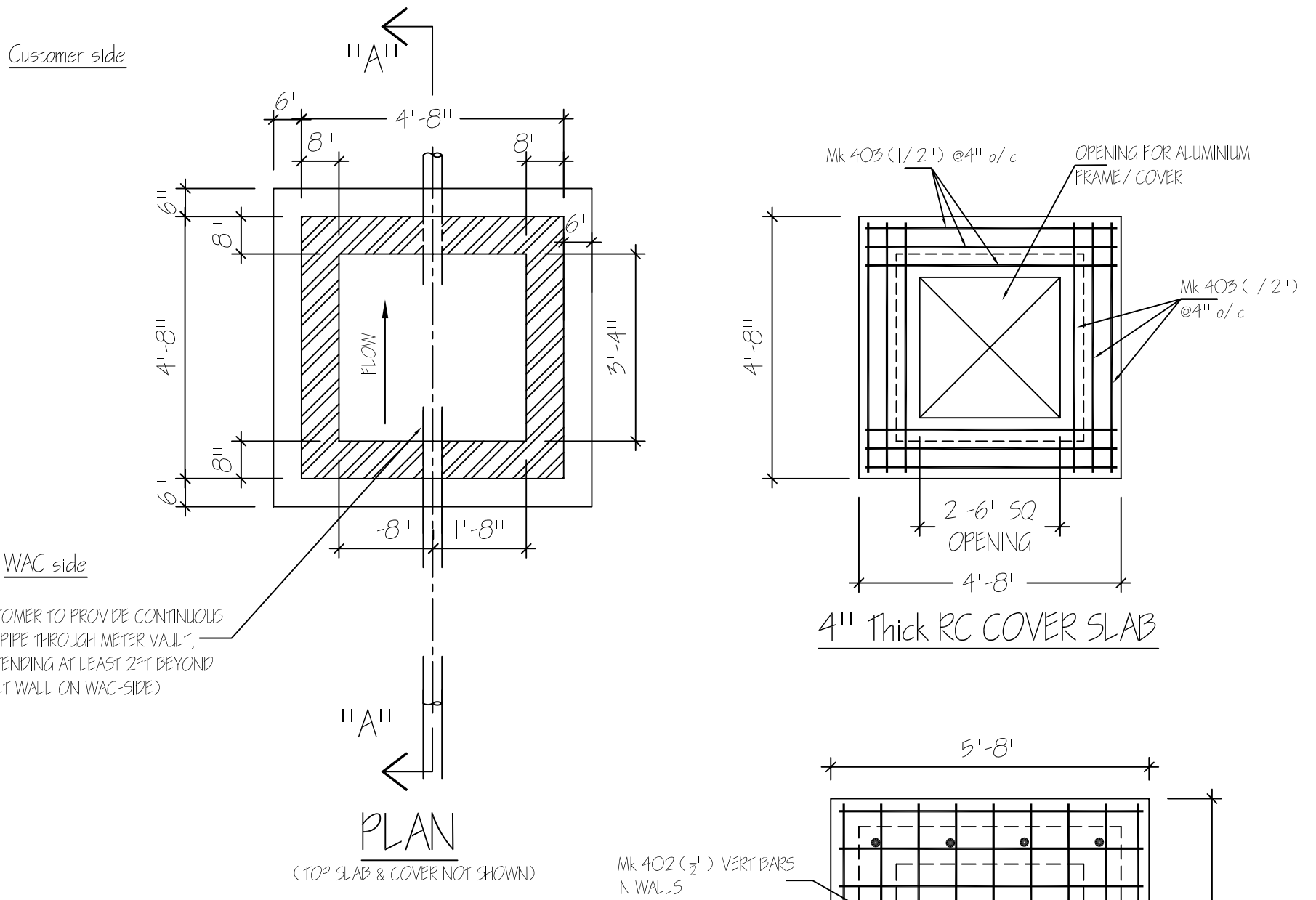


SECTION "A-A"



ACCESS COVER SPECIFICATIONS:
 Aluminum, slip resistant, solid top, hinged cover with upstanding frame, incorporating safety stay and staple for padlocking (padlock to be supplied by Water Authority). Minimum clear opening 30" X 30". Designed to withstand 0.5 tonnes test loading, non-vehicular traffic.