

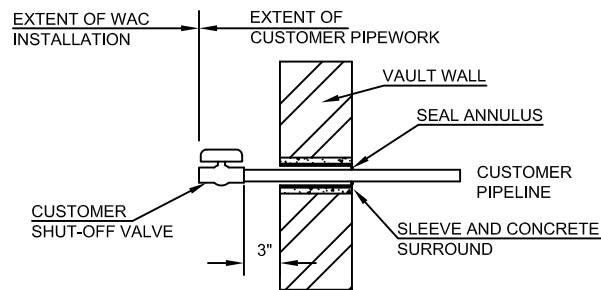
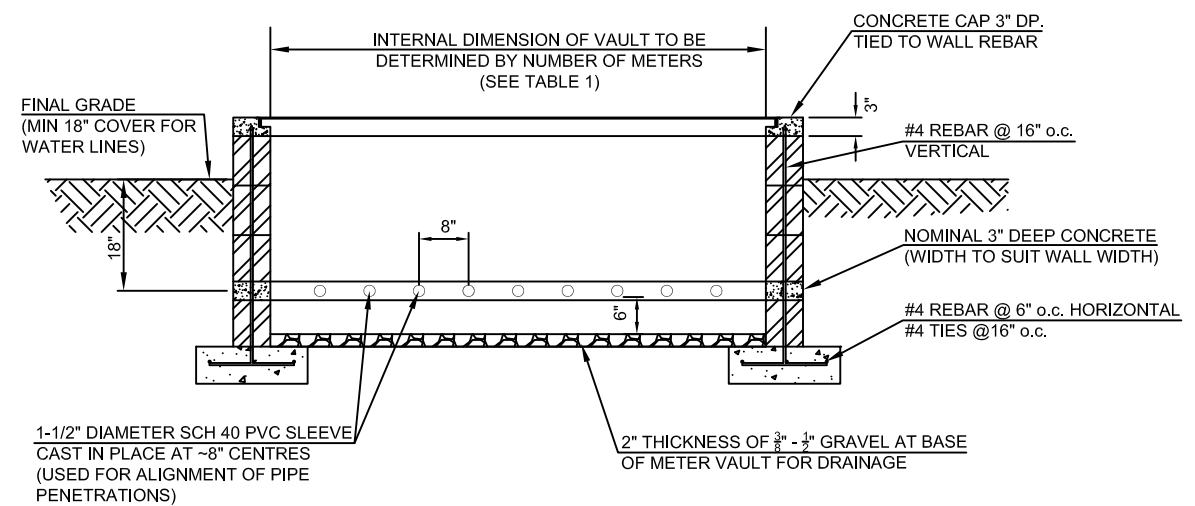
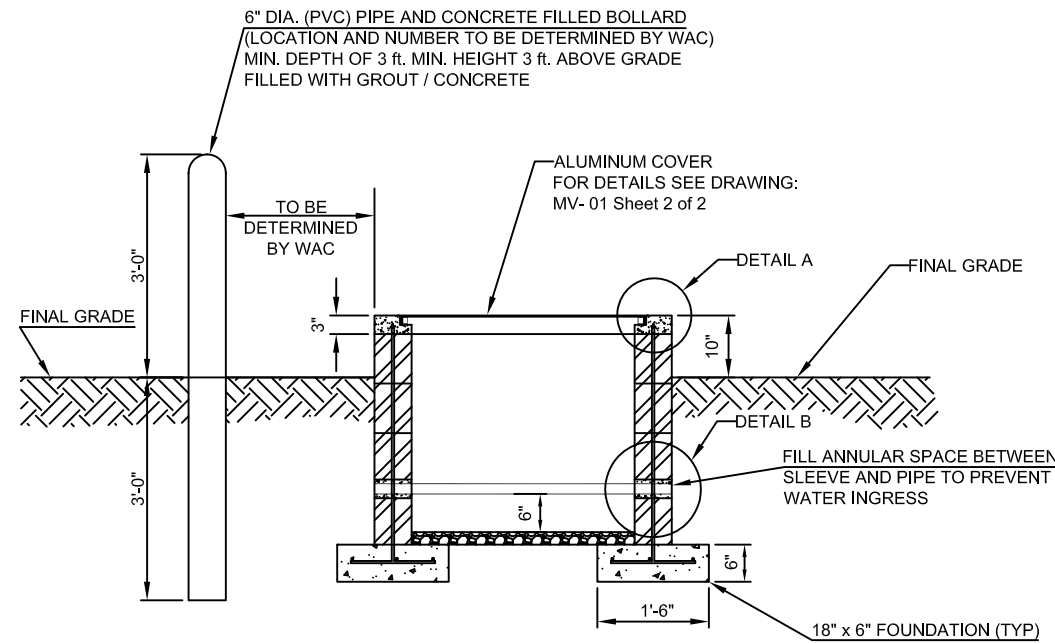
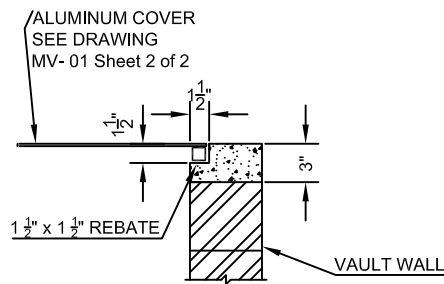
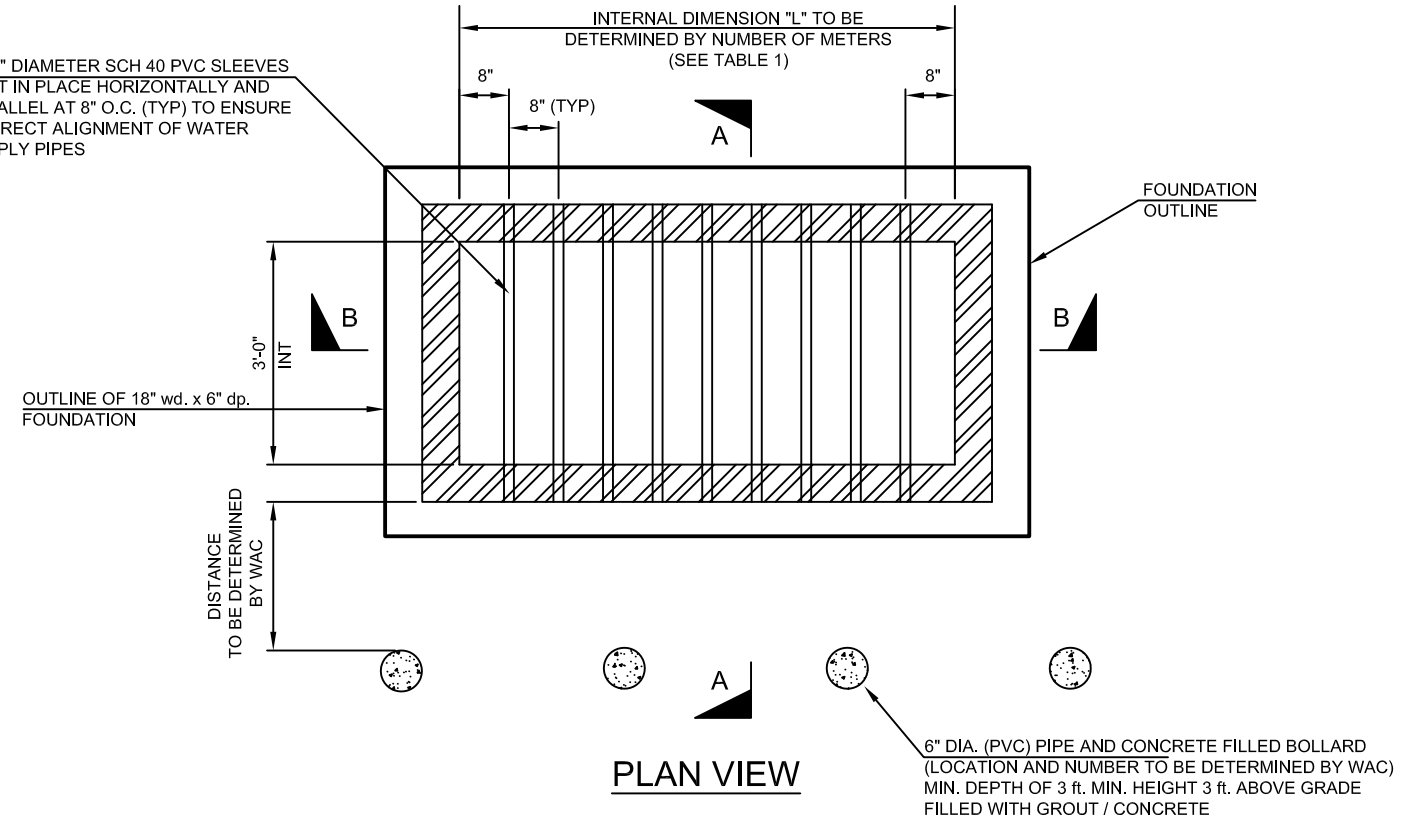
TABLE 1: NUMBER OF METERS, VAULT AND COVER DIMENSIONS

NUMBER OF METERS	APPROX. INSIDE DIMENSION OF VAULT (L X 36"W)	OVERALL DIMENSION OF COVER (x 39" WIDE)	DIMENSION OF HATCH (x 16" WIDE)	NUMBER OF COVERS
5	48"	51"	35"	1
6	56"	59"	43"	1
7	64"	67"	51"	1
8	72"	75"	59"	1
9	80"	83"	67"	1
10	88"	91"	75"	1
11	96"	99"	83"	2
12	104"	107"	91"	2
13	112"	115"	99"	2
14	120"	123"	107"	2
15	128"	131"	115"	2
16	136"	139"	123"	2
17	144"	147"	131"	2
18	152"	155"	139"	2
19	160"	163"	147"	2

NOTES:

1. THE WATER AUTHORITY - CAYMAN (WAC) HAS SPECIFIC REQUIREMENTS WITH RESPECT TO METER INSTALLATION FOR ALL DEVELOPMENTS REQUIRING FIVE OR MORE INDIVIDUALLY METERED WATER SERVICES PER PARCEL OR LOT.
2. WAC AT ITS SOLE DISCRETION SHALL DETERMINE THE METER INSTALLATION LAYOUT FOR EACH DEVELOPMENT. THE OWNER/DEVELOPER SHALL PROVIDE THE METER INSTALLATION IN STRICT ACCORDANCE WITH ALL CURRENT WAC STANDARD DETAILS, GUIDELINES AND INSTRUCTIONS
3. LOCATION OF VAULT TO BE DETERMINED BY WAC QUALITY ASSURANCE INSPECTOR AND AGREED WITH OWNER/DEVELOPER
4. VAULT INCLUDING ACCESS COVER SHALL BE CONSTRUCTED BY OWNER/DEVELOPER
5. ALL VAULT WALLS TO BE MINIMUM 6" CMU REINFORCED WITH #4 REBAR @16" o.c.
6. ALL BLOCKS SHALL BE STAGGERED VERTICALLY AND GROUTED
7. CMU BLOCKS WILL HAVE ALL CELLS FILLED WITH 3000PSI CONCRETE
8. ALL WALLS TO HAVE A 3" CONCRETE TOPPING WITH A 1.5" x 1.5" REBATE TO SUPPORT COVER FRAME
9. LENGTH OF VAULT TO BE DETERMINED BY NUMBER OF METERS - SEE TABLE 1 FOR DIMENSIONS
10. WATER METERS, MAIN SHUT OFF VALVE AND CHECK VALVE TO BE SUPPLIED BY WAC
11. MAIN HEADER PIPE TO BE SUPPLIED BY WAC
12. CUSTOMER-SIDE SHUT OFF VALVE(S) AND ALL OTHER PIPING BY OWNER/DEVELOPER AND ONLY INSTALLED AFTER METER VAULT HAS BEEN APPROVED BY WAC QUALITY INSURANCE INSPECTOR
13. A MINIMUM OF 18" COVER SHALL BE PROVIDED ABOVE ALL WATER PIPELINES
14. BOTH EXTERIOR AND INTERIOR SURFACES OF CMU BLOCK WALL TO BE RENDERED
15. OPTIONAL: EXTERIOR SURFACE TO BE FINISHED TO MATCH ARCHITECTURAL FINISHING - TO OWNER/DEVELOPER REQUIREMENTS
16. BACKFILL AROUND OUTSIDE OF VAULT ONCE CONSTRUCTION IS COMPLETE
17. OWNER/DEVELOPER TO IDENTIFY INDIVIDUAL PIPES WITH APPROPRIATE UNIT NUMBER REPRESENTING FINAL SERVICE LOCATION

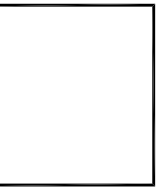
1-1/2" DIAMETER SCH 40 PVC SLEEVES CAST IN PLACE HORIZONTALLY AND PARALLEL AT 8" O.C. (TYP) TO ENSURE CORRECT ALIGNMENT OF WATER SUPPLY PIPES



THIS DRAWING TO BE READ IN CONJUNCTION WITH DRAWING #: MV-01 SHEET 2 of 2

DATE: 04/12/09  
DRAWN BY: MDT  
CHECKED: TvZ  
PROJECT NO.

REV	DATE	BY	DESCRIPTION
2	05/04/11	MDT	MINOR AMENDMENTS TO LAYOUT
1	31/03/10	MDT	UPDATED NOTE#1
0	04/12/09	MDT	ISSUE FOR CONSTRUCTION



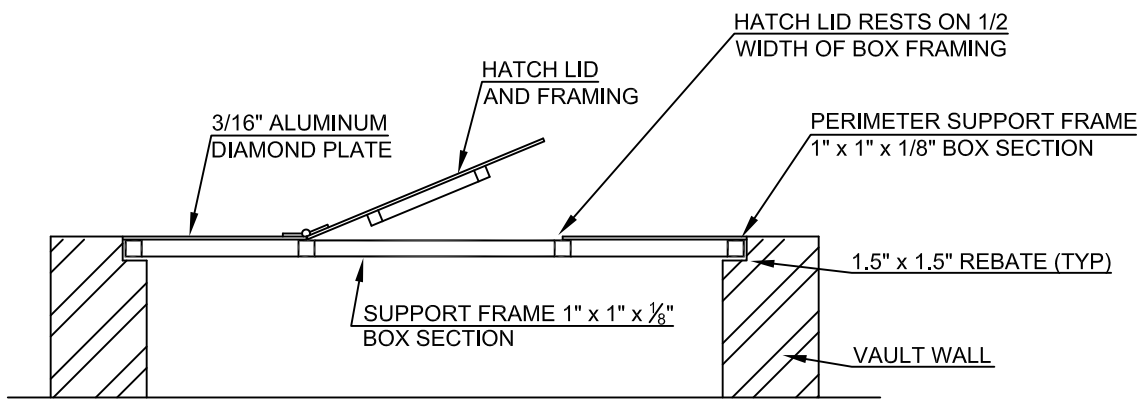
WATER AUTHORITY - CAYMAN  
P.O. BOX 1104  
GRAND CAYMAN, KY1-1102  
345-949-2837

MULTIPLE METER INSTALLATION  
METER VAULT ARRANGEMENT FOR 20/25 mm METERS  
CUSTOMER INSTALLATION

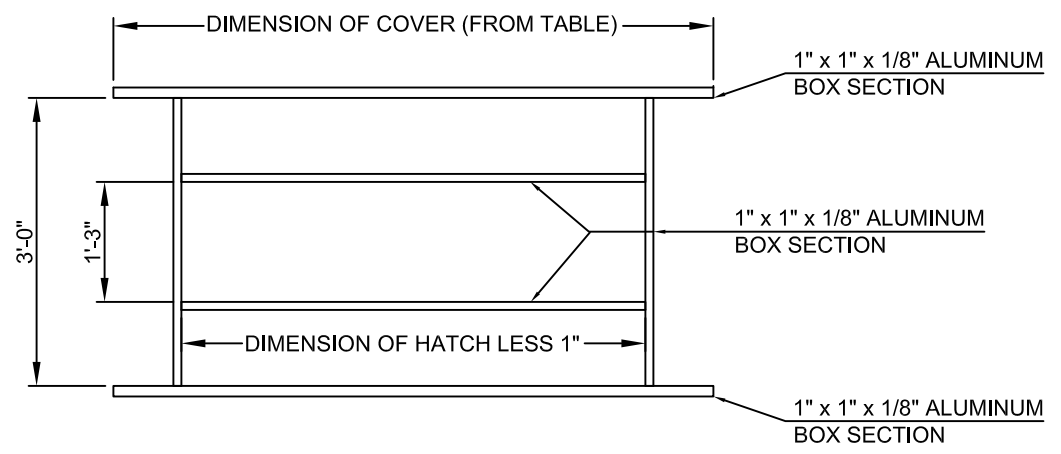
WAC PROJECT NO.  
DRAWING NO.  
MV-01  
SCALE NONE  
SHEET 1 of 2  
VIEW  
REV 2

DATE: 04/12/09
DRAWN BY: MDT
CHECKED: TvZ
PROJECT NO.

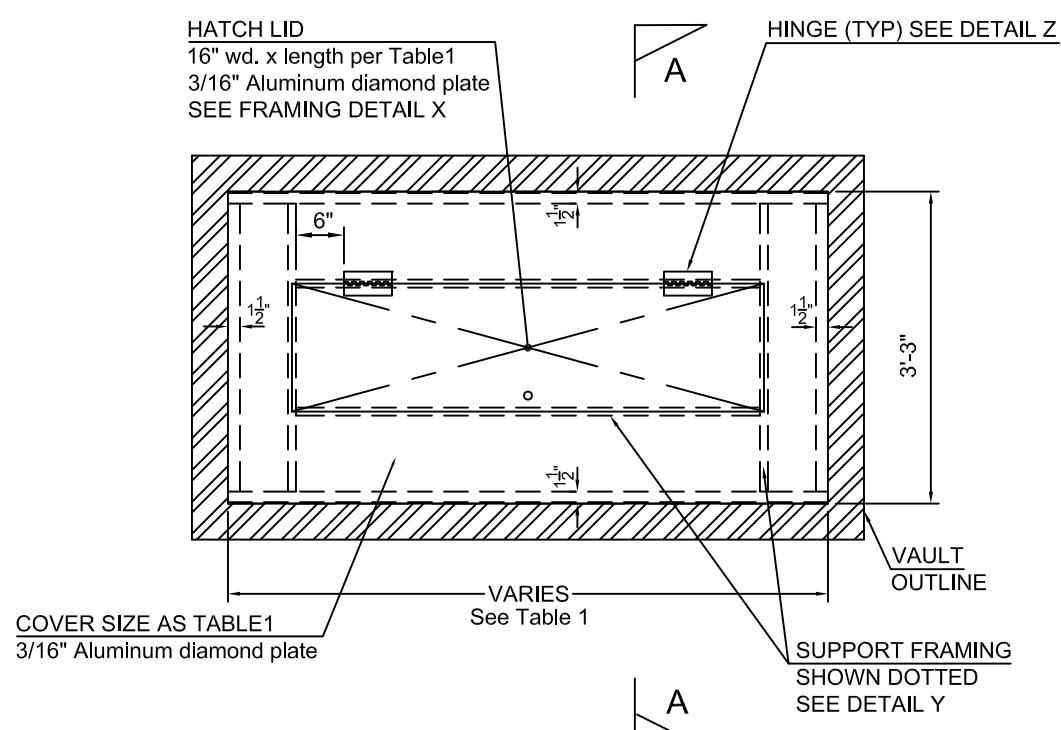
REV	DATE	BY	DESCRIPTION
1	05/04/11	MDT	MINOR AMENDMENTS TO LAYOUT
0	04/12/09	MDT	ISSUE FOR CONSTRUCTION



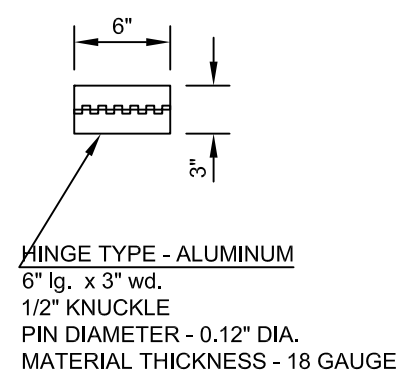
**SECTION A-A**  
Scale: 1" to 1'-0"



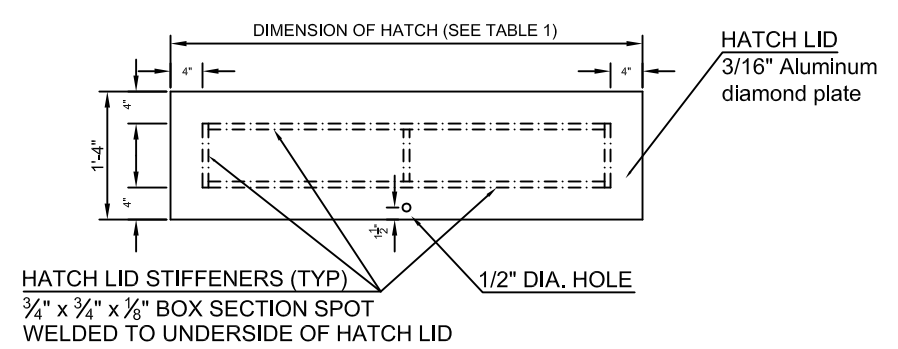
**DETAIL Y**  
Scale: 1/2" to 1'-0"



**PLAN VIEW OF COVER**  
Scale: 1/2" to 1'-0"



**DETAIL Z**



**DETAIL X**  
Scale: 1/2" to 1'-0"

WATER AUTHORITY - CAYMAN  
P.O. BOX 1104  
GRAND CAYMAN, KY1-1102  
345-949-2837

**MULTIPLE METER INSTALLATION**  
METER VAULT COVER DETAIL FOR 20/25 mm METERS  
CUSTOMER INSTALLATION

WAC PROJECT NO.	
DRAWING NO. MV-01	
SCALE NONE	VIEW
SHEET 2 OF 2	REV 1